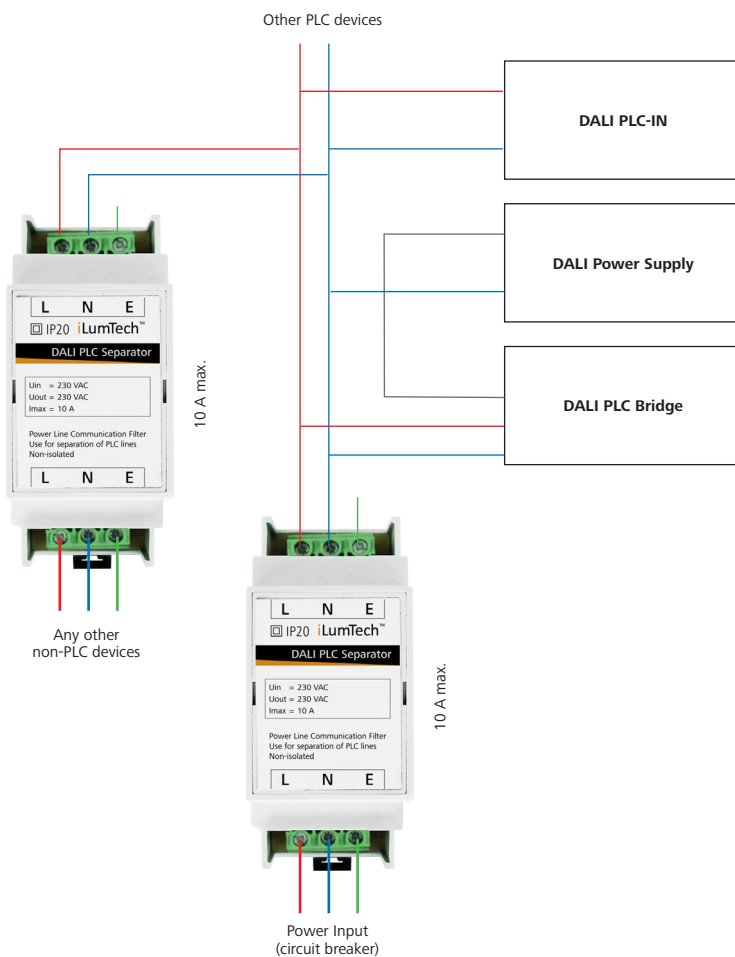




The iLumTech DALI PLC Separator is part of the Connected Lighting product family as a supportive element for DALI PLC solutions. The DALI PLC Separator isolates the PLC signal from mains voltage and in doing so separates sources of attenuation from the PLC network and other electronic devices from being impacted by the PLC signal. Use of the DALI PLC Separator in a DALI PLC network is highly recommended as it significantly improves PLC communication robustness. It also allows for multiple DALI PLC networks wired on the same phase.

DALI PLC Separator

Wiring diagram



Key features

- Better performance of PLC communication
- PLC signal is not attenuated by other electrical devices
- Allows for separation of PLC networks on the same phase

Installation notes:

- Place the DALI PLC Separator between the circuit breaker and luminaires
- The DALI PLC Separator is a symmetrical device – no input or output
- Use the DALI PLC Separator between the PLC device power line and non-PLC devices if the circuit breaker protects also non-PLC devices

Input parameters:

Voltage	120 / 230 V AC
Current	Max. 10 A AC

Connections

Mains	0.5–4 mm ² (AWG 20–10)
-------	-----------------------------------

Operating Conditions:

Ambient temp. range	0–+40 °C
Max. relative humidity	90 % (non-condensing)
Storage temp. range	-40–+70 °C

Mechanical data

Housing	DIN rail enclosure
Dimensions	90 x 36 x 58 (mm)
Weight	145 g
IP Rating	IP20