

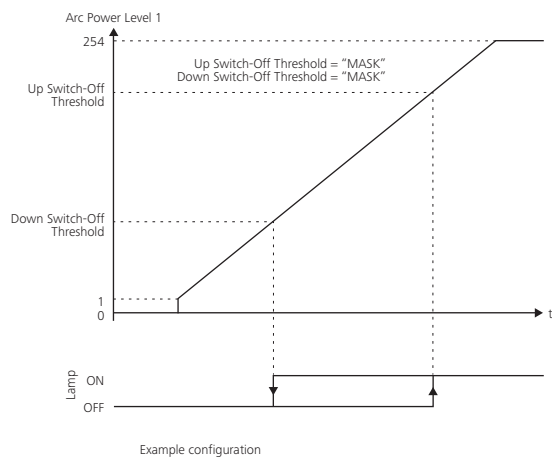


The DALI 4 x Relay is a DALI compatible relay device designed to allow for the independent switching of four devices (luminaires and others) through a DALI interface. On the front panel of the device can be found an integrated push button for the manual control of the relays for testing purposes, additional to five device status indicator LEDs. The device is housed in a standard DIN-rail mountable box for easy installation in electrical switchboards.

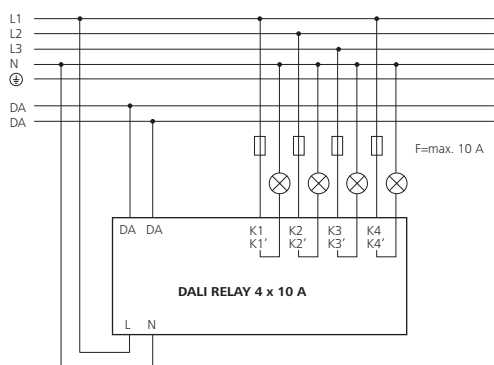
### DALI Interface

The device fulfils EN 62386-208 type 7 standards

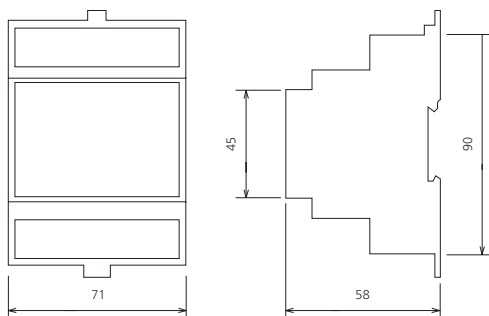
# DALI 4 x Relay



### Wiring diagram



### Dimensions



### Key features

- Four independent relay contacts
- 10 A maximum switching current per contact
- Push button for manual control (test function)
- One DALI address for each contact (DALI device type 7, EN 62386-208)

### Function

After powering-up the device, an internal test sequence is initiated that lasts for no more than 2 seconds. The device then acts in Normal Mode and awaits DALI commands. The 'STATUS' LED indicator is lit when the DALI bus is correctly supplied. LED indicators 1 to 4 show the current status of each relay: a lit LED means the corresponding relay is switched on, an unlit LED means the corresponding relay is switched off.

### Test mode

Test Mode can be activated at any time by pressing the push button 'TEST'.

A short push of the button, for a period less than 3 seconds, changes which relay is selected, indicated by the corresponding LED indicator blinking. By pressing the push button for a period of more than 3 seconds the selected relay is switched on/off, indicated by the way in which the LED indicator blinks (predominantly on means the relay is switched on, predominantly off means the relay is switched off). The device will return to Normal Mode after 5 seconds of push button inactivity.

### Connections

Mains cable	Wires AWG 24-12 (0.2-2.5 mm <sup>2</sup> )
DALI cable	Wires AWG 28-16 (0.08-1.5 mm <sup>2</sup> )
Relays cable	Wires AWG 24-12 (0.2-2.5 mm <sup>2</sup> )

### Power

Mains supply	220-240 V AC / 50-60 Hz
Max. system power	6 W
DALI consumption	< 2 mA
Relay loads	10 A (per contact)
Insulation	4 kV

### Mechanical data

Housing	4U DIN rail box 71 mm wide
Weight	300 g
IP Rating	IP20

### Operating conditions

Ambient temp. range	0 °C - + 40 °C
Max. relative humidity	85 % (non-condensing)
Storage temp. range	-40 °C - +70 °C

### Conformance with regulations

EN 55015	Limits and methods of measurement of radio disturbance characteristics of electrical lighting and similar equipment
EN 61547	Equipment for general lighting purposes EMC immunity requirements
EN 60950-1	Information technology equipment – Safety – Part 1: General requirements
EN 62386-208	Digital addressable lighting interface

### 5 Year Warranty

The Company reserves the right to change any product specifications without prior notification.

### iLumTech industries, s. r. o.

Čáčovská cesta 2709/4, Senica 905 01, Slovakia  
Email: info@ilumtech.eu, www.ilumtech.eu