

The Infinitas 3in1 LED module is designed for use in office, track and continuous line luminaires for applications with the highest demands on effectiveness and visual comfort. The clever combination of high-performance LED light sources with an original hybrid optical system and carefree thermal management determine the module for ready use.

# INFINITAS 08

## Structure

Aluminium mounting plate that acts as a heatsink for the module

Thermal interface material

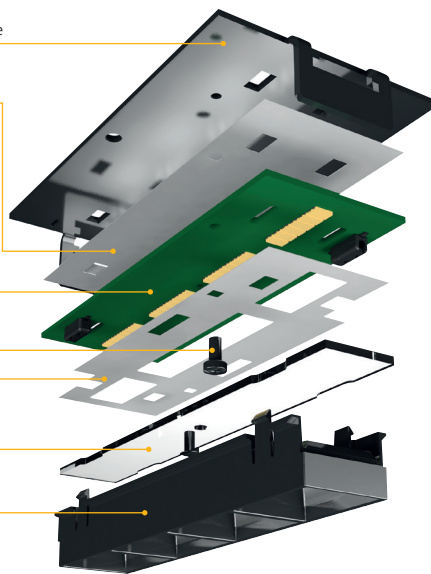
FR4 PCB with flexible lumen output according to used drive current

Two installation screws make it easy to install the module in a wide array of settings

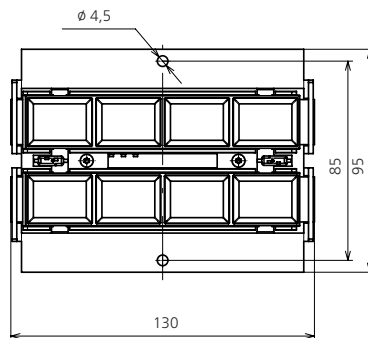
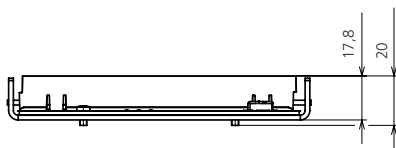
Cover pad

PMMA microprism diffuser

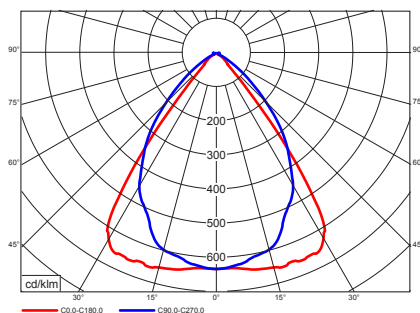
Metallised reflector



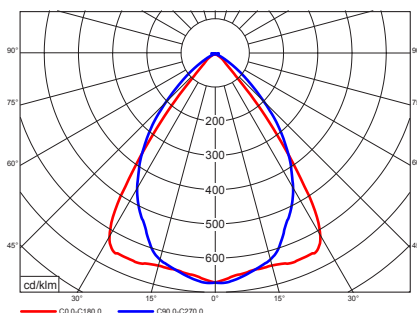
## Dimensions



## LIDC of Infinitas module



Infinitas 08 830 1250 lm



Infinitas 08 840 1252 lm

## Key features

- Compact, ready to use LED modules with integrated dual optic and thermal management
- Easy installation into luminaire or ceiling
- Office, industrial, retail lighting application
- Long life time and reliability

## Technical parameters

Optical system	PMMA diffuser, metallized reflector
Thermal management	aluminium sheet plate
System efficiency of the module	up to 137 lm/W
Net lumen output	up to 1,240 lm
Beam angle	73°/76°
UGR	21/24 (up to 16 in situation)
CCT	3000 K/4000 K
MacAdam	3
CRI	83 (CRI 93 on request)
Life time	up to 131,500 h / L70 B50
IP Rating	IP20

## Applications

Infinitas' lighting parameters, especially very low glare, make it ideal for use in the lighting fixtures for offices, classrooms, laboratories, cashdesk areas etc. Their easy installation make them suitable for implementation into general illumination.

With a small modification, they can be installed even in a very thin luminaire. Thanks to the different CCT (3000 K / 4000 K) with a CRI 83 or 93 make their usage even more wide.