

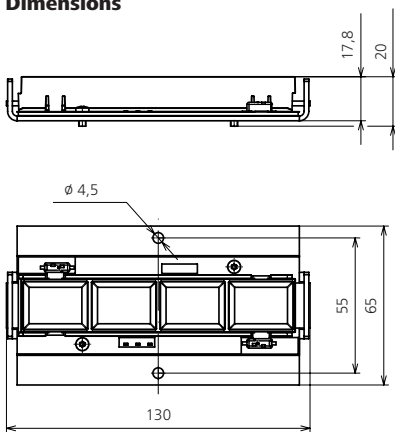
Infinitas is ready to use without the need for further development. It is a 3in1 LED unit that combines high-performance LED light sources with carefree thermal management and an original hybrid optical system. This makes Infinitas an ideal choice for both luminaire manufacturers and those seeking the devices necessary to create a bespoke lighting solution.

INFINITAS 04

Applications



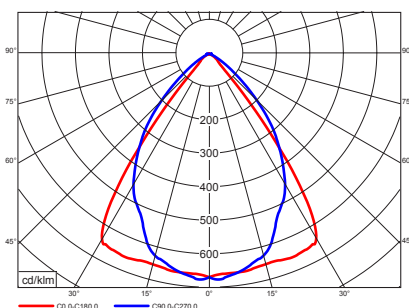
Dimensions



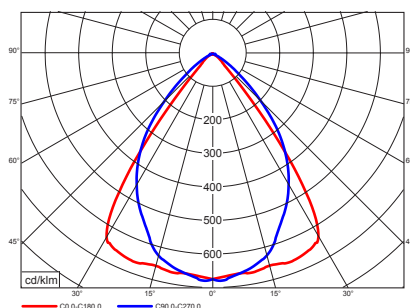
Additional frame



LIDC of Infinitas module



Infinitas 04 830 597 lm



Infinitas 04 840 602 lm

Key features

- Compact, ready to use LED modules with integrated dual optic and thermal management
- Easy installation into luminaire or ceiling
- Office, industrial, retail lighting application
- Long life time and reliability

Technical parameters

Optical system	PMMA diffuser, metalized reflector
Thermal management	aluminium sheet plate
System efficiency of the module	up to 137 lm/W
Net lumen output	up to 620 lm
Beam angle	73°/76°
UGR	21/24 (up to 16 in situation)
CCT	3000 K/4000 K
MacAdam	3
CRI	83 (CRI 93 on request)
Life time	up to 131,500 h / L70 B50
IP Rating	IP20

Applications

Infinitas' lighting parameters, especially very low glare, make it ideal for use in the lighting fixtures for offices, classrooms, laboratories, cashdesk areas etc. Their easy installation make them suitable for implementation into general illumination.

With a small modification, they can be installed even in a very thin luminaire. Thanks to the different CCT (3000 K / 4000 K) with a CRI 83 or 93 make their usage even more wide.

5 Year Warranty

The Company reserves the right to change any product specifications without prior notification.

iLumTech industries, s. r. o.

Čáčovská cesta 2709/4, Senica 905 01, Slovakia
Email: info@ilumtech.eu, www.ilumtech.eu