



DLS TOUCH PANEL II is 7" touchscreen display which is suitable mainly for use in offices. It can be used also in classrooms, smaller manufacturing facilities and similar areas of application. DLS TOUCH PANEL II offers wide possibilities for Tunable White and RGB control. User can use pre-defined sequences or customize his own. Automatic control can be overridden by manual control at any time. Possibility of sensor connection makes the lighting installation even more intelligent by reacting to ambient light level changes and presence of people. DLS TOUCH PANEL II offers control of 3 DALI lines thus allowing for large lighting installation. Additionally DLS TOUCH PANEL II is DALI type 8 compatible.

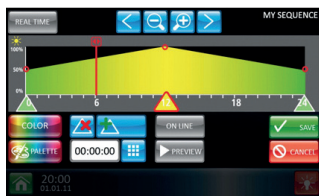
DLS Touch Panel II



MAIN MENU



CONTROL MODE

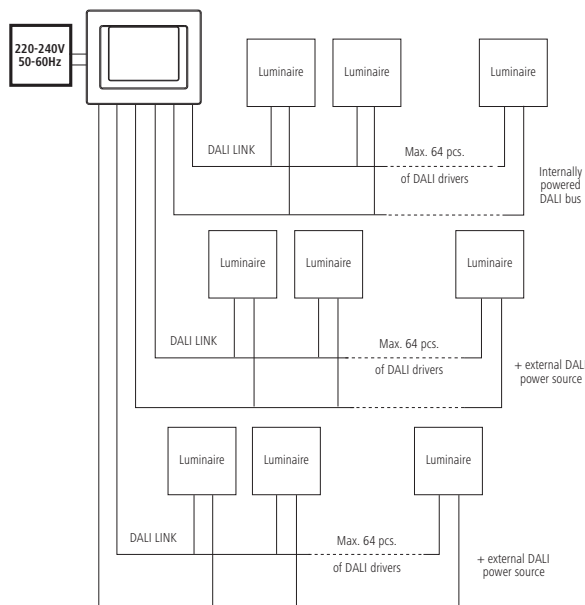


TIME LINE

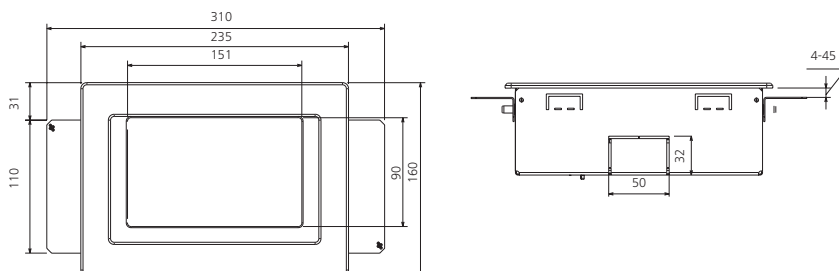


USER SETTING

Wiring diagram



Dimensions



5 Year Warranty

The Company reserves the right to change any product specifications without prior notification.

Key features

- 2 modes: RGB and Dynamic white
- Manual or fully automatic control of light
- DALI type 8 support – up to 192 DALI type 8 devices
- Possibility of connecting up to 81 TW luminaires or 64 RGB luminaires
- 3 independent DALI lines – 1 internally powered, 2 externally powered
- User configurable time scheduler
- Possibility of connection light-level and movement sensor
- Energy saving solution
- Daylight simulation - bringing natural conditions into interior
- Security option – password protection of settings
- Simple and fast setting of colour with TW or RGB
- User friendly graphic interface
- User pre-settable screen savers
- Static scene pre-sets
- Dynamic scene pre-sets

General

Power consumption	Max. 9 W
Power input	12 V DC
Cooling system	Fanless
Temp.-Range	0° C - +40° C

System Hardware

CPU	Texas Instruments AM3354, 720 MHz
Memory	256 MB SDRAM
Flash	128 MB NAND FLASH
Networking	LAN 100BaseTX, Bluetooth, Wi-Fi
I/O	3xDALI (1xDALI internally powered – 250 mA)

Display

Size	7"
LCD Type	TFT, Transmissive, Anti-Glare
Resolution	800x480, 262K colours
Viewing angle (H/V)	140 / 120 deg
Luminance	350 Cd/m ²
Contrast ratio	350:1
Touchscreen	Capacitive
Ambient temp. range	0° C - +40° C

iLumTech industries, s. r. o.

Čáčovská cesta 2709/4, Senica 905 01, Slovakia
Email: info@ilumtech.eu, www.ilumtech.eu