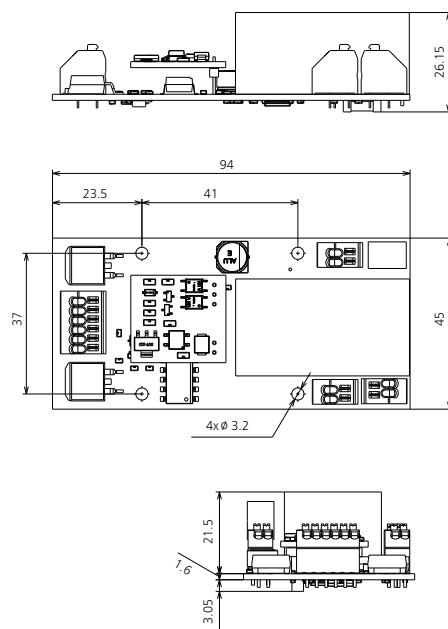




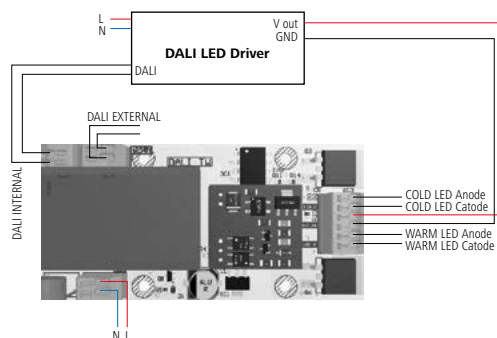
DALI TW MODULE is a DALI compatible device (device type 6) especially designed to allow for the Tunable White control of LED modules through a DALI interface. For correct function an external LED driver is required (DALI LED driver if brightness control is desired). The device itself is powered independently from mains. The device is open-frame module that can be easily mounted into the luminaire.

DALI TW Module type 6

Dimensions



Wiring diagram



1 Year Warranty

The Company reserves the right to change any product specifications without prior notification.

Key features

- independent control of CCT
- up to 180 V voltage range
- DALI control (device type 6)

Function

DALI TW MODULE is a DALI device designed for TunableWhite control. It is not a power source for LEDs! For correct function an external LED driver must be used (constant current). Selection of the LED driver depends on the LED load used (forward voltage and current). DALI TW MODULE controls the CCT of light according to the DALI commands received. On DALI line, the device appears as standard DALI device type 6 (LED driver) allowing for direct CCT level control, group addressing, fading and scene settings.

DALI TW MODULE represents simple way of CCT control via DALI using standard components – LED driver and DALI controller.

Connections

Mains cable	Wires AWG 28-16 (0.08-1.5 mm ²)
DALI cable	Wires AWG 28-16 (0.08-1.5 mm ²)
LED cable	Wires AWG 28-16 (0.08-1.5 mm ²)

Power

Mains supply	90-260 V AC / 47-400 Hz
System power	< 200 mW
DALI consumption	< 2 mA
Insulation	Class II

Output

Output voltage range	30-180 V DC
Output current range	0-2 A
Output power range	0-150 W

Mechanical data

Housing	Open Frame
Weight	60 g
Dimensions	94 x 45 x 26 mm

Operating conditions

Ambient temp. range	0 °C - +55 °C
Relative humidity	< 85 % (non-condensing)
Storage temp. range	-40 °C - +70 °C

Conformance with regulations

EN 55015	limits and methods of measurement of radio disturbance characteristics of electrical lighting and similar equipment
EN 61547	Equipment for general lighting purposes EMC immunity requirements
EN 62386-102	Digital addressable lighting interface, general requirements for control gears
EN 62386-207	Digital addressable lighting interface, LED drivers

HEAD OFFICE

iLumTech
906 02 Dojč 419, Slovakia, Email: info@ilumtech.eu, www.ilumtech.eu