

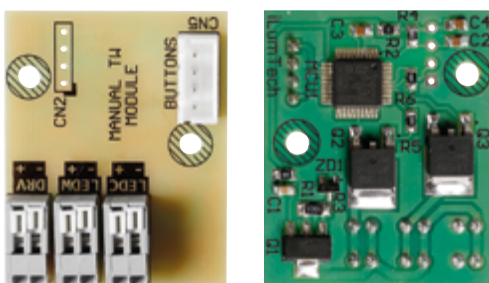
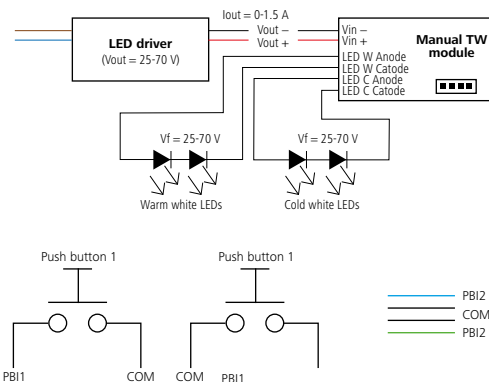
Vin +  
Vin -

LED W Anode  
LED W Cathode

LED C Anode  
LED C Cathode



### Wiring diagram



Step Index	1	2	3	4	5	6	7	8
Channel C Level (%)	0	9.8	20	31.7	45.1	63.5	85.5	100
Channel W Level (%)	100	90.2	80	68.3	54.9	36.5	14.5	0

### 1 Year Warranty

The Company reserves the right to change any product specifications without prior notification.

MANUAL TW is module with patented current splitter topology for Tunable White control. It is intended to be used in any Tunable White luminaire that fits its operating range (input voltage and output current). The module requires external LED driver for its biasing and LED powering. Manual TW Module 02 is without the fixed position of the buttons, so can be placed anywhere in a luminaire.

# Manual TW Module 02

### Key features

- Two push buttons for manual control
- Output current range: up to 2 A
- Output power: up to 100 W
- Module internal biasing: 5 V / 3 mA (15 mW)

### Function

After powering up Manual TW electronic reloads last used setting of output current ratio. The new level is saved to memory after 10 seconds of push button inactivity. Push button 1 (PB 1) serves for increasing and Push button 2 (PB 2) for decreasing of output current ratio. There are two modes of current ratio transients – smooth mode and discrete mode.

Discrete mode – discrete mode is activated by default. When short pressing one of the push buttons (holding pressed shorter than 1 second) the current ratio level is changed in discrete steps according to the table below. One press activates change of one step.

Smooth mode – smooth mode is activated when one of the push buttons is hold pressed longer than 1 second. After this period current ratio starts to change (increase or decrease) smoothly with approximately 2 % per second.

Purpose: electronic control device, manually controlled control device, built-in control device, for normally polluted environment. Mode of action: type 1.

### Connection of push buttons

Manual TW module is delivered with cable harness for push button connection. The cable harness consists of 4 wires – Push button 1 input (PBI1), Push button input 2 (PBI2) and common ground (COM). Wires can be connected to any type of mechanical push buttons.

### Connections

Cable Wires AWG 24-12 (0.5-2.5 mm<sup>2</sup>)

### Power

Input voltage 25-70 V DC

### Output

Output voltage 25-70 V DC

Output current 0-1.5 A

Module consumption 15 mW

### Mechanical data

Housing Open case

Weight 10 g

Dimensions 42 x 34 x 15 mm

### Operating conditions

Ambient temp. range 0 °C - +55 °C

### HEAD OFFICE

iLumTech

906 02 Dojč 419, Slovakia, Email: info@ilumtech.eu, www.ilumtech.eu